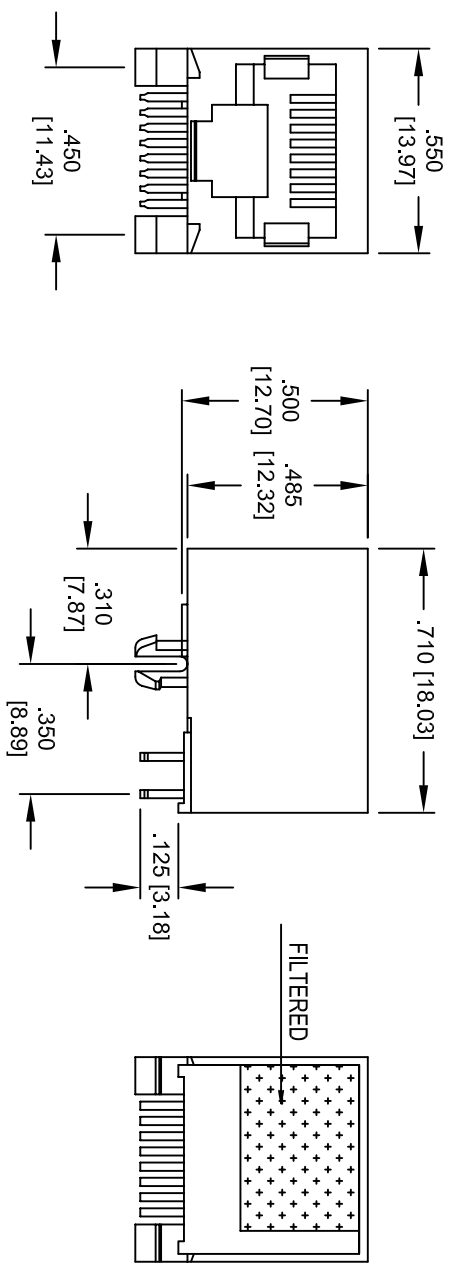


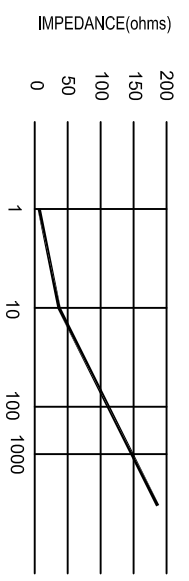
APPROVED: _____ TITLE: _____

DATE: _____

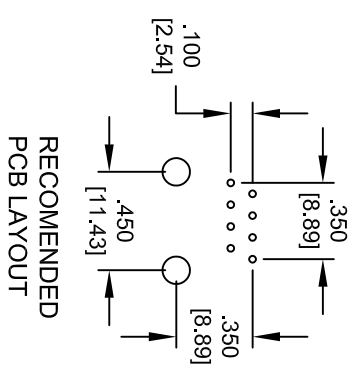
Rev	AWO #	Description	Date	Appr
-		RELEASED	10/20/05	



Impedance Characteristic:



CAVITY CONFIRMS TO FCC RULES AND REGULATIONS
PART 68, SUBPART F.



SPECIFICATIONS:

- Material: Insulator: PBT, rated UL 94V-0
- Insulator color: Black
- Contacts: Phosphor Bronze
- Filter: High Impedance, High Resistance, Ferrite block
- Plating: Gold over Nickel underplate on contact area, Tin over Copper underplate on tails

- Electrical: Operating voltage: 150 VAC max
- Current rating: 1.5 Amps max
- Contact resistance: 20 mohms max
- Insulation resistance: 500 Mohms min @ 500 VDC
- Dielectric withstanding voltage: 1000 VAC for 1 minute
- Temperature Rating: Operating temperature: -40°C to +125°C

- Environmental: Lead free, RoHS compliant.
- Recommended soldering temp: 235 for 5 sec.



X	PLATING
0	15 µin Gold
1	30 µin Gold
2	50 µin Gold

UNLESS OTHERWISE SPECIFIED
ALL DIMENSIONS ARE INCHES [MM]
TOLERANCES: EXCEPT AS NOTED
INCHES ±.10
HOLE ±.015
ØXX ±.015
XXX ±.015
APPROVALS DATE

DRAWN	SS	10/20/05
CHECKED		
APPROVED		

ADAM TECH
909 Rahway Avenue, Union, NJ 07083
Phone: 908-687-5000 Fax: 908-687-5710

MODULAR TELEPHONE JACK, 8P8C
FILTERED, RIGHT ANGLE

SIZE	PART NO.	REV.
X	MTJ-88MX1	-
REF:	SCALE: NTS	SHEET 1 OF 1